

FUEL SYSTEM
MODEL PA-18

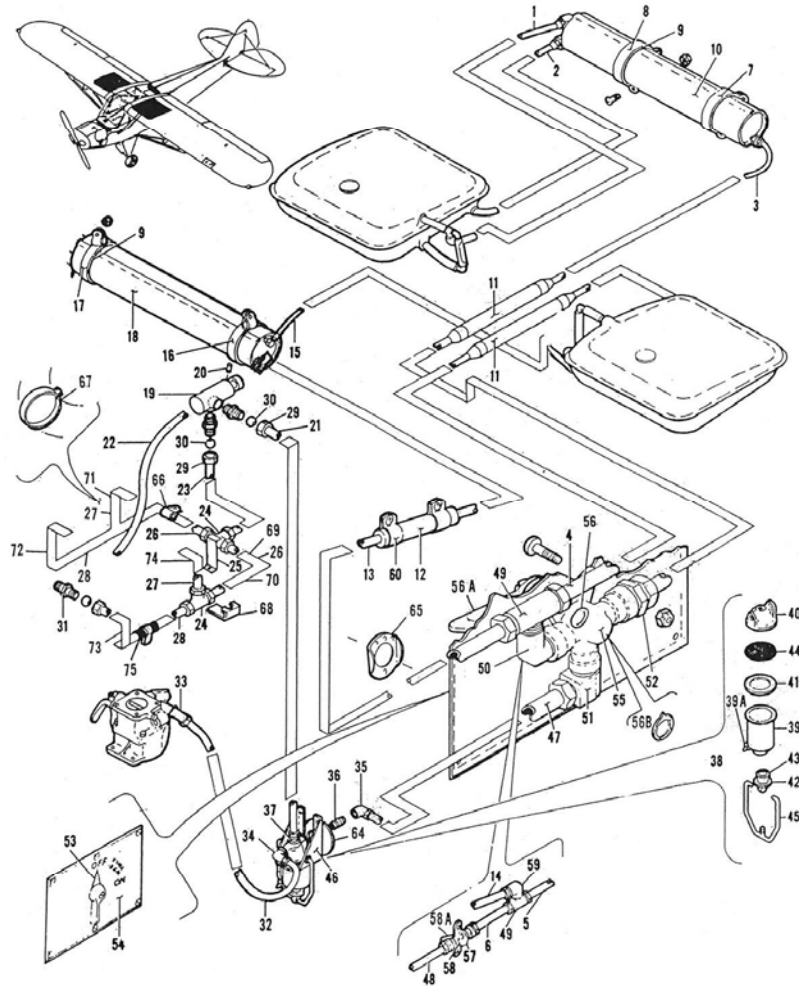


Figure 35. Fuel System Installation